



1-Line Message Displays

Description

LEDARRAY models LED4112/UL and LED4124/UL are 1-line, tri-color, 4.75-inch maximum character size LED message displays. Model LED4112/UL is a 1-line x 12 character display. Model LED4124/UL is a 1-line x 24 character display. Each supports red, amber and green characters, embedded string and numeric variables and scrolling (right, left, up and down). There is (1) RS-485 port and for configuration and external message control. They support serial ASCII, RS-485 protocols. The extruded aluminum housing is NEMA 4 / NEMA 12 (Indoor only) rated. They are UL listed and CE marked. Included are wall-mount and chain-mount bracket assemblies, 1/2-and 3/4-inch knockouts for input wiring. The required configuration software (LED-PGMSW) is available for free.



LED 4112/UL



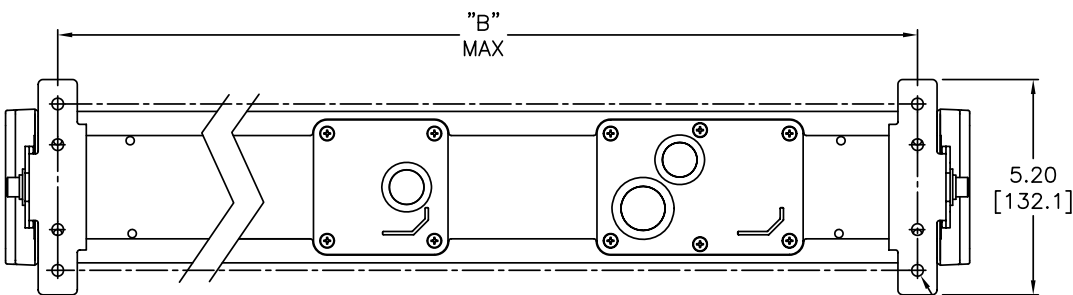
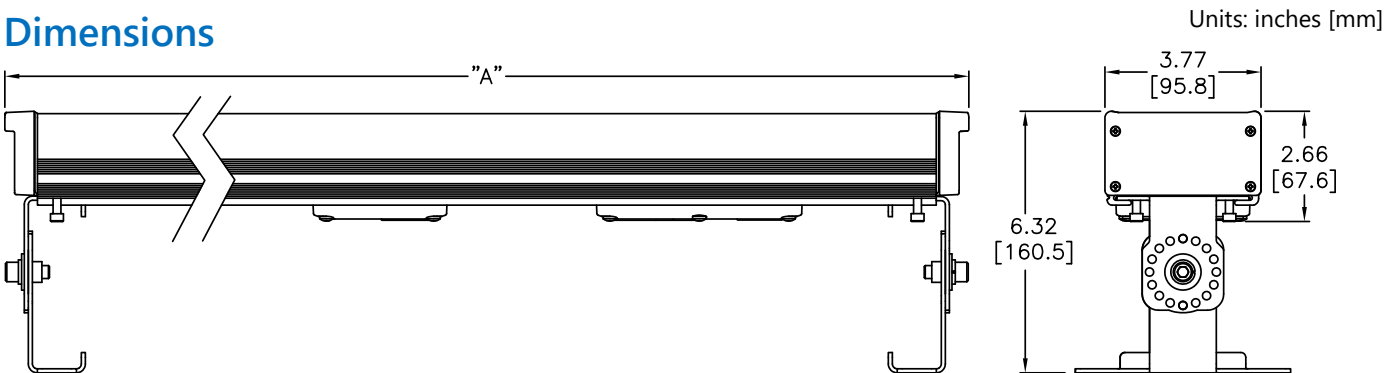
LED 4124/UL

Features

- Low power consumption, high-efficiency switch mode power supply at 24VDC
- Wall-mount / cabinet top mount and chain-mount - brackets included.
- Free, easy-to-use configuration software package
- The display is fully configurable through the LEDARRAY software for ease of use.
- Serial RS-485 communications
- Accurated date and time
- Adjusts for Daylight Savings



Dimensions



DIMENSION TABLE		
PART NO.	DIM "A"	DIM "B" MAX
LED 4112/UL	23.30 [591.8]	20.77 [527.6]
LED 4124/UL	44.89 [1140.2]	42.38 [1076.5]

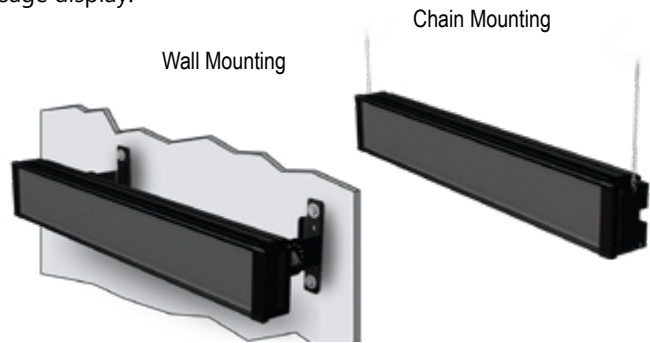
8X $\phi 0.28$
[$\phi 7.1$]



Mounting Options

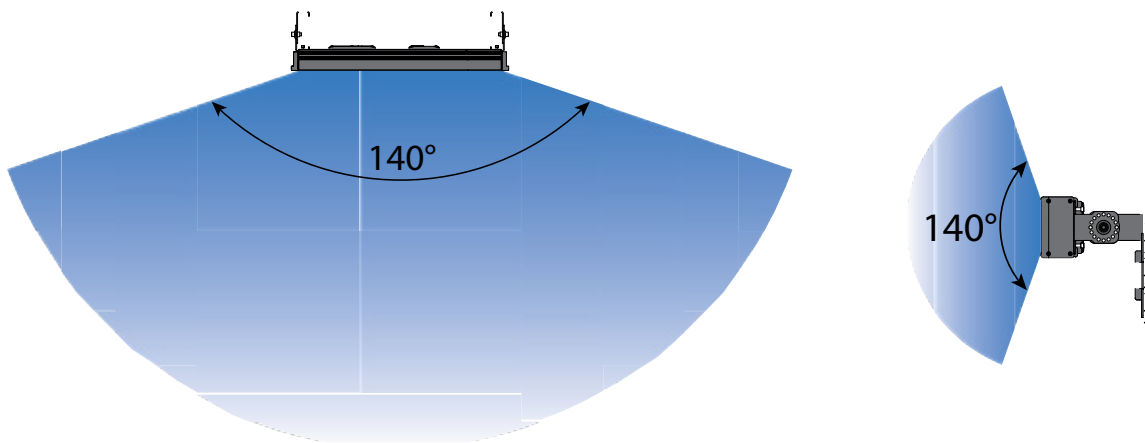
Two sets of mounting brackets are included with each LEDARRAY Message display.

LED ARRAY LED Display Mounting Specifications			
Part Numbers	Weight	Weight with Wall Mount Brackets	Weight with Chain Mount Brackets
<u>LED4112/UL</u>	4.9 lbs	6.1 lbs	5.4 lbs
<u>LED4124/UL</u>	9 lbs	10.2 lbs	9.6 lbs



Viewing Angle

The LEDARRAY display should be mounted and adjusted for the optimum viewing angle.



LEDARRAY Message Displays Viewing Distances			
Part Numbers	Font Size	Minimum Recommended Viewing Distance	Maximum Recommended Viewing Distance
<u>LED4112/UL</u>	1.25 or 2 in.	6 ft.	60 ft.
<u>LED4124/UL</u>	1.25 or 2 in.	10 ft.	100 ft.

2-Line Message Displays Specifications		
Part Number	<u>LED4112/UL</u>	<u>LED4124/UL</u>
<u>Description</u>	1 Line X 12 Characters	1 Line X 24 Characters
<u>Display</u>		
• <u>Type</u>	LED matrix: Tri-color (Green, Red, Amber)	
• <u>LED Life</u>	100,000 hours	
• <u>Number of Lines</u>	1 (Based on 5 x 7 pixel sized characters)	
• <u>Text Height</u>	1.25 in, 2in (Depends on character set selected)	
• <u>Character Memory</u>	32k	
<u>AC Electrical</u>	Available Upon Request	
<u>DC Electrical</u>		
• <u>Input Voltage</u>	24VDC (+10% / -15%)	
<u>Lamp Test - Maximum Current - All</u>	243 mA	436 mA
• <u>Standby Current</u>	100 mA	138 mA
• <u>Standby with Time and Date</u>	172 mA	248 mA
• <u>Reverse Polarity Protection</u>	Yes	