



® **Light Engineered Displays, Inc.**

Graphic Annunciators \* Water Leak Detection  
Fireman's Smoke Control Panels \* BDA - Status

109 Portwatch Way Wilmington, N.C. 28412 Phone: (800) 251-2512 Fax: (800) 251-9878

Internet: [www.ledinc.com](http://www.ledinc.com) Email: [sales@ledinc.com](mailto:sales@ledinc.com)

**BDA System  
STATUS PANEL**

**BDA  
SERIES**

SIGNALING



LISTED



## Features

- Intended for Indoor/ Dry Location
- Enclosure constructed to NEMA 1 standards
- Non-glare protective front
- Low power consumption
- Ultra Bright Light Emitting Diodes
- Lamp Test & local Silence Switch
- Can be flush or surface mounted.

## Technical Specifications

1. Primary Power: *24vdc*
2. Circuit Board Input Voltage:  
*Nominal 24 Vdc / Min. 18 Vdc to 36 Vdc*
3. Standby Current at 24vdc:  
*Approximately 15 ma*
4. Alarm Current:  
*Approximately 60 ma.*  
*Add 45 ma for each Activated Alarm*
5. Operating Temperature  
*32-100F (0-38C)*

## General Description

This unit is designed to meet current NFPA-1221, Chapter 9 standards for dedicated BDA Annunciation Panels. The recommended labeling by the NFPA is: Normal AC Power, Loss of Normal AC Power, Battery Charger Failure, Low Battery, Donor Antenna Malfunction, Active RF Emitting Device Malfunction, System Component Malfunction.

Custom artwork is available to meet your local code requirements. All units come available with a lamp test, a silence switch and a set of Form-C contacts for connection to the building FACP or BDA.

Normal system operation is indicated by the lighted Green Power-ON LED indicator. The Lamp Test Switch when activated, will light all system indicators as a demonstration that the internal circuits, wiring and LED's are functioning properly.

All units come with a factory installed audible alarm to sound when any of the LED's light.

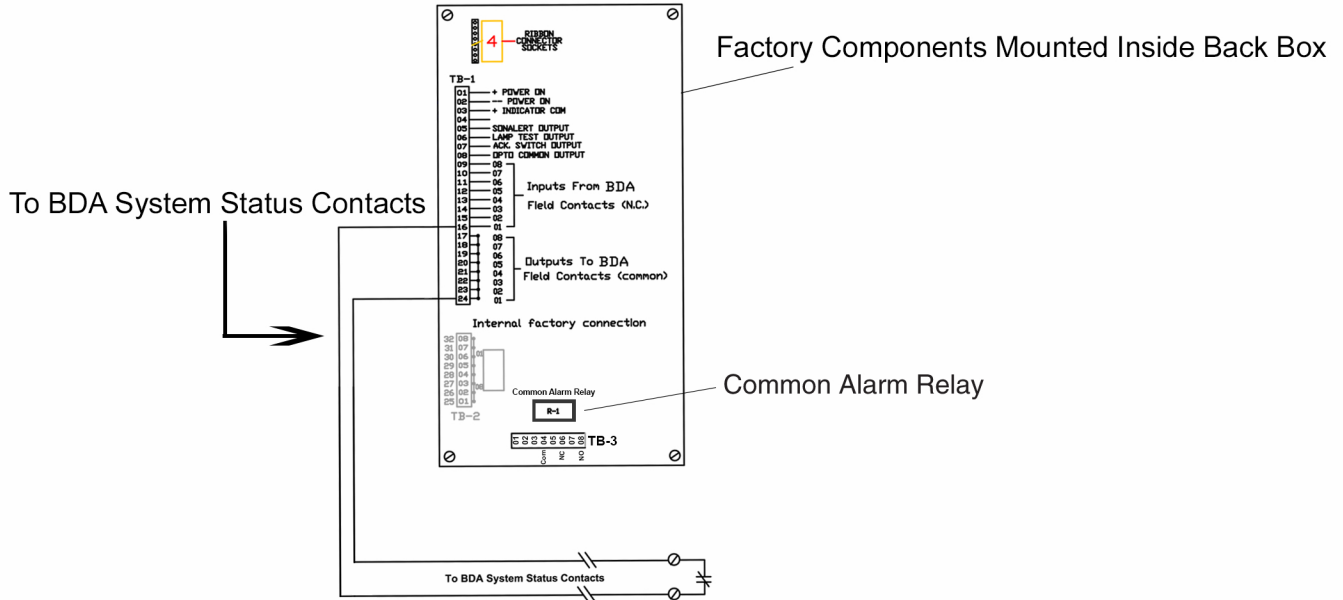


**Model: G-1212-BDA**

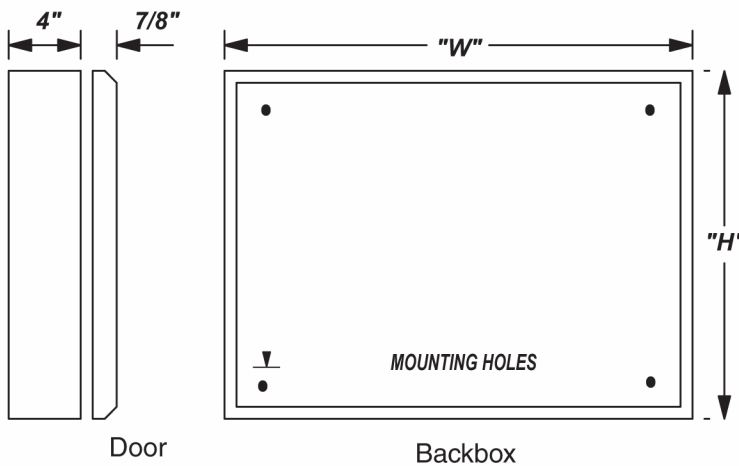


# System Status ANNUNCIATORS

## Sample Wiring Diagram



## Ordering Information



MODEL	W x H
G-1212-BDA SERIES	12" x 12"
WT-0-BDA SERIES	21.25" x 12.25"

For Semi-flush mounting, add 3" to overall dimensions. The (weather-tight) is surface mount only.

*Consult the factory regarding custom sizes, products, options or special requirements.*