



® **Light Engineered Displays, Inc.**

Graphic Annunciators * Water Leak Detection
Fireman's Smoke Control Panels * ARA Systems

109 Portwatch Way Wilmington, N.C. 28412 Phone: (800) 251-2512 Fax: (800) 251-9878
Internet: www.ledinc.com Email: sales@ledinc.com

**GRAPHIC
ANNUNCIATORS**

**LD
SERIES**

SIGNALING



BUILDINGS
MEA LISTED

Features

- Non glare protective front
- Low power consumption
- Ultra Bright Light Emitting Diodes
- Lamp Test - Standard
- Per Point Diode Isolation on all inputs
- Intended for indoor / dry location

Technical Specifications

1. Standby Voltage
Nominal 24 Vdc: Min. 18 Vdc to 36 Vdc
2. Standby Current
Typical Range 0 -15 ma
3. Alarm Current
Standby Current is increased Approx. 15 ma for each Activated LED max input @ 3 Amps
4. Indicators
Super Bright LED's - Red, Amber and Green
5. Activating Voltage
Positive or Negative as specified
6. Operating Temperature
32-100F (0-38C)

General Description

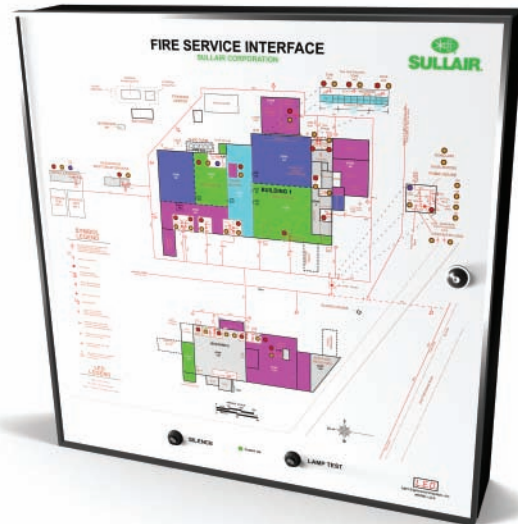
The Graphic Annunciator is housed in a sturdy Brushed Aluminum frame and attached to its backbox with a vandal resistant "hidden" hinge. It is key-lockable to prevent unauthorized access.

Terminal strips (behind locked cover) facilitate the wiring of Field Devices. Screw connectors are complete with captive wire protection and are automatically secured against loosening.

The electronic components are permanently installed on circuit boards. Electrical connections from the circuit board(s) to the LED panel are made with Ribbon Connectors. Fire Alarm Panel driver modules can be mounted inside of the annunciator panel.

Normal system operation is indicated by the lighted Green LED indicator. A lamp test switch is also provided. When activated, ALL system indicators should light as a demonstration that all internal circuits, wiring and LED's are functioning properly.

The system is modular and can easily be changed or expanded. Must be installed with U.L. Listed equipment.



Model LD-2
Frontlit - Color Panel



GRAPHIC ANNUNCIATORS

Architect / Engineer Specification

The contractor shall furnish, where indicated on the plans, a U.L. Listed Graphic Annunciator Panel.

Standard features shall include but not be limited to: Built-In Voltage Regulation, Reverse Polarity Protection, Per Point Diode Isolation and a Lamp Test Switch. Additionally, the unit shall be capable of lighting all its indicators simultaneously.

The Annunciator shall be Frontlit. Unit shall be (...Semi-flushed mounted,... Surface mounted). Assembly shall be of "Dead-Front" construction, with no exposed screws or hinge. Artwork and indicators to be protected by a sheet of Non-glare Plexiglass, finished with a brushed Aluminum frame.

Annunciator shall be able to operate from a nominal 24 Volts D.C. supplied by the Main Fire Alarm Panel. Unit will utilize the Fire Alarm Panel's standby batteries during loss of normal power.

Upon activation of any Alarm initiating device, the annunciator shall geographically display the location of the device in alarm.

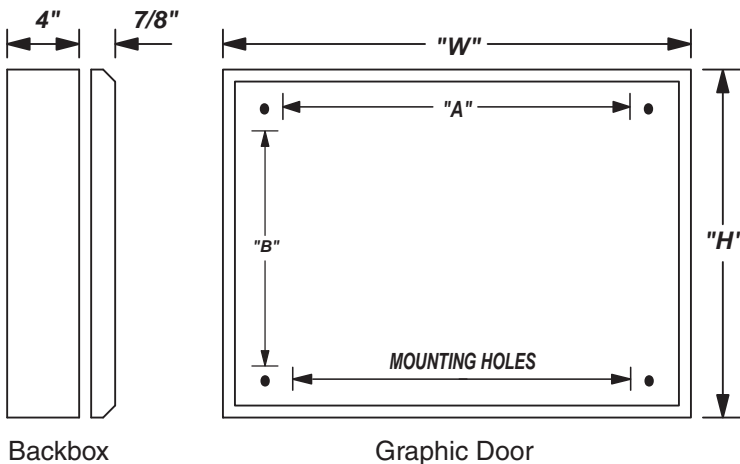
The Annunciator shall be manufactured by Light Engineered Displays, Inc., or approved equal.

Ordering Information

A drawing is required showing the actual graphic representation needed for your project. The exact location of the indicator points should be shown and identified by a legend. Mark the Annunciator location on the plans so that the artwork can be oriented properly with a "You Are Here" designation.

Graphic sizes are shown below, according to model number. The maximum area available for artwork is the outside dimension, less two inches. We will work from your blueprint, copy, fax, sketch, email or CAD file. Please note: a full size, inked mylar, from your CAD drawing, will speed production.

Please complete the annunciator Order Form and send with drawing. If Order Form is not available, indicate how annunciator will be activated and list any specifications required.



For Semi-flush mounting, add 3" to overall "W" and "H" dimensions.

MODEL	W x H	A x B
G1212	12" x 12"	10" x 10"
LD-0	18" x 9"	13 1/2" x 4 1/2"
G1818	18" x 18"	16" x 16"
LD-1	23 7/8" x 14"	19 7/8" x 10"
LD-2	23 7/8" x 24 1/2"	19 7/8" x 20 1/2"
LD-3	23 7/8" x 35"	19 7/8" x 31"
LD-4	36" x 48"	32" x 44"

NOTE: Units May Be Mounted Vertical or Horizontal

Consult the factory regarding custom sizes, products, options or special requirements.