



® *Light Engineered Displays, Inc.*

Graphic Annunciators * Water Leak Detection
Fireman's Smoke Control Panels * ARA Systems

109 Portwatch Way Wilmington, N.C. 28412 Phone: (800) 251-2512 Fax: (800) 251-9878
Internet: www.ledinc.com Email: sales@ledinc.com

Features

- Adaptable to most 12-24VDC control units.
- Low standby current consumption.
- Rugged solid-state construction.
- Large .8 inch LED back-lit digital readout.
- Precision quartz crystal referenced 1 second incremental countdown.
- Field programmable for Seconds, or Minutes and Seconds countdown.
- Field programmable for desired delay from 1-99 seconds or 1 second to 99 minutes 59 seconds.
- On-board selectable Sonalert counts time "ticks" in 1 second intervals and signals continuously when time reaches 0.

Description

- The TA-123 features a built-in spring-loaded dead-man 1 3/4" mushroom abort switch. Unit mounts on a three-gang switch box.
- The T-123 features the display unit only. It is intended to be installed in a graphic annunciator panel or other enclosure.



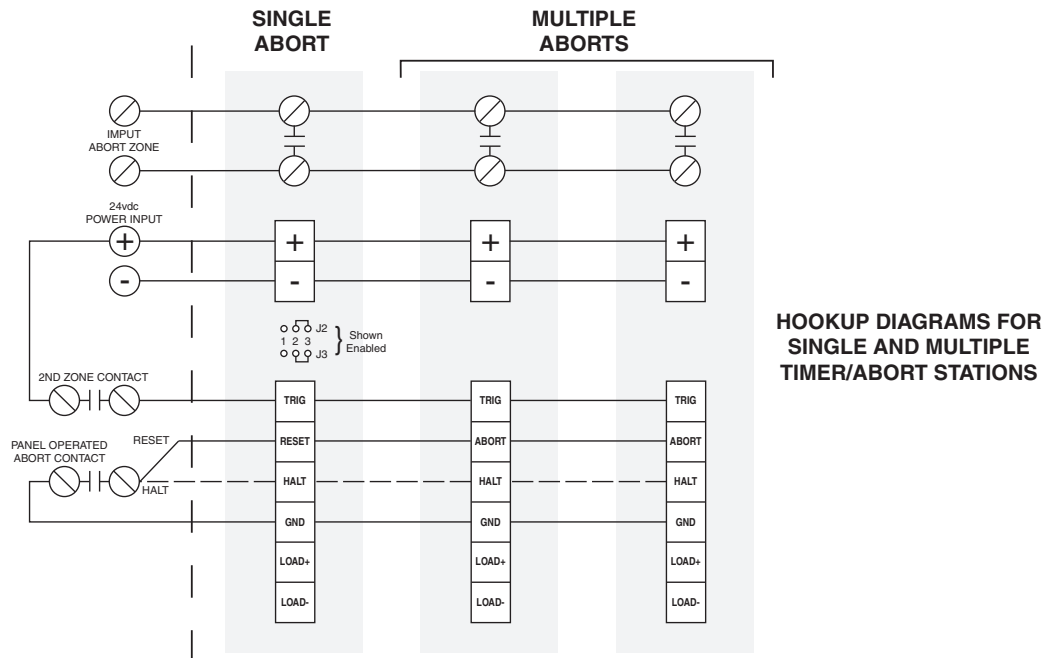
Model TA-123

Specifications

- Input: 24 vdc, Filtered & Regulated
- Standby: 155ma
- Activated: 175ma
- Easily programmed to:
 1. Reset to original time when ABORT is depressed.
 2. Reset to original time when ABORT is depressed unless time left is less than 10 seconds, in which case resets to 10 seconds (jumper option)
 3. Halt (stop time) when ABORT is depressed.
 4. Count down to 10 seconds and hold when ABORT is depressed.



DIGITAL COUNTDOWN TIMER / ABORT STATION



Operation

The digital countdown timer is activated by contact closure and requires 24VDC power (filtered and regulated power recommended but not required).

Panel operated ABORT contact may be connected to either reset or halt time.

The digital countdown timer uses its own internal clock and must be programmed to coincide with the time delay on the control panel that powers it. Its use is for the reference of the time remaining between the start and finish of the suppression system control unit time delay period. It is not an integral part of the suppression system control unit and does not affect the control unit time delay settings. Load terminals may not be parallel linked. Each load is only capable of triggering its own, independent load.

Time Setting Switches

Switches S1 - S4 are used to set the initial count down time of the TA-123. Each is set to the digit of the initial count in the format of MM:SS where MM is the minutes to count and SS is the seconds to count. You may set minutes to count on S1 and S2 (S1 is 19 min and S2 is 1 min) from 0 to 99 minutes. S3 and S4 set the seconds to count from 0 to 59 seconds. If S1 and S2 are set to 00 minutes then S3 and S4 may be set from 0 to 99 seconds.

Optional Jumpers & Wiring

J2 - Sonalert Enable. When enabled, the sonalert beeps once each second while the TA-123B is counting down. When the count reaches 00:00 the sonalert changes from a beep to a solid tone until the trigger signal is removed.

J3 changes the RESET and HALT to respond to some 3rd part requirements. When J3 is not enabled, RESET will stop the count, and when released, reset to the S1-S4 initial count time. When enabled, RESET will respond the same UNLESS the count is at 10 seconds or less. When the count is 10 seconds or less, RESET will cause the count to stop and resume at 10 seconds when released. When J3 is enabled, HALT will count down UNTIL the count reaches 10 seconds at which point it will hold. After HALT is released, the count will resume as normal from 10 seconds.