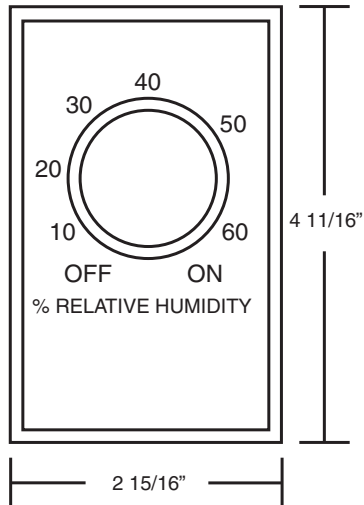


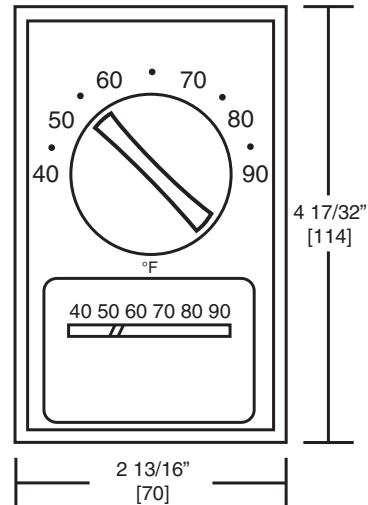


A Division of:
Light Engineered Displays, Inc.
109 Portwatch Way
Wilmington, N.C. 28412
Phone: (800) 251-2512
Fax: (800) 251-9878
Internet: www.ledinc.com
Email: sales@ledinc.com



Humidity Controller

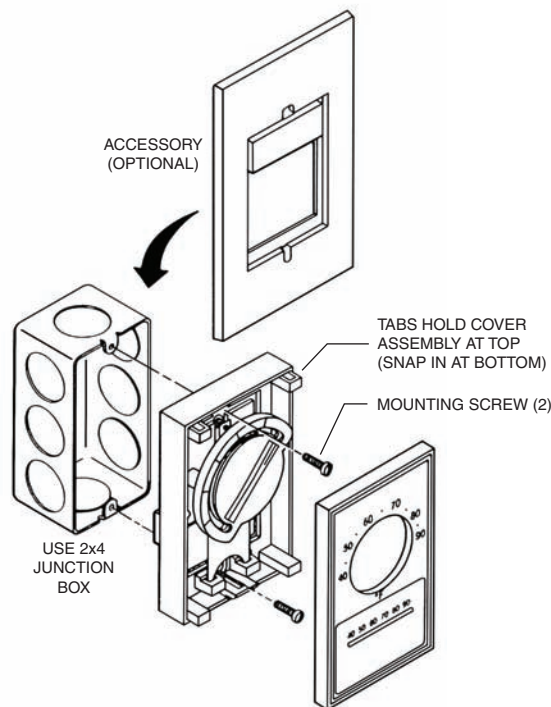
- Wall-mounted, SPDT snap-acting switch
- Fixed Differential: 4 to 6 percent RH
- Sensing Element: Moisture-sensitive nylon ribbon.
- Max. Ambient Temp.: 125°F (52°C).
- Case Dimensions: 4-11/16 in. (119mm) high, 2-15/16 in. (75 mm) wide, 2-1/8in. (54mm) deep.
- Listed by Underwriters Laboratories Inc.
- Electrical Ratings: 5 amp
- Model HDD: High and Low Humidity detector. Contact closes when adjustable setpoint is exceeded.



Temperature Controller

- Temperature Range: 35° to 95° F
- Mounts on a standard vertical outlet box.
- Thermometer located on cover.
- Approximate Dimensions: 5-7/16 in. (138mm) high, 3-1/4 in. (83 mm) wide, 1-3/16 in. (30 mm) deep.
- Listed by Underwriters Laboratories Inc.
- Electrical Ratings: 5 amp.
- C-Form contact changes state when temperature exceeds adjustable setpoint.

ENVIRONMENTAL SENSORS



Instruction Instructions / Mounting Detail

Model HHD - Humidity Detector - High/Low Alarm

1. Wires are coded for simplicity
2. Red and Black are used for Low Humidity Alarm. This normally open connection will close to initiate an alarm on the Annunciator, whenever the humidity falls below the adjustable point.
3. Red and Blue wires are used for the High Humidity Alarm. The connection will close whenever the humidity exceeds the adjustable setpoint.
4. Do not attempt to use a single controller for both high and low alarm.

Model HTD - Temperature Detector - High/Low Alarm

1. Terminals are labeled as following: cool, heat and common.
2. Common and cool are used to initiate a high temperature alarm.
3. This circuit closes whenever the room temperature exceeds the adjustable setpoint.
4. Common and heat can be used to initiate low temperature alarm.