

**® Light Engineered Displays, Inc.**Graphic Annunciators * Water Leak Detection
Fireman's Smoke Control Panels * ARA Systems109 Portwatch Way Wilmington, N.C. 28412 Phone: (800) 251-2512 Fax: (800) 251-9878
Internet: www.ledinc.com Email: sales@ledinc.com

Technical Specifications

1. Standby Voltage: *12 to 24 vdc*
2. Standby Current: *125 ma*
3. Baud Rate: *9600*
4. Bits: *8*
5. Stop Bit: *1*
6. Parity: *0*
7. Temperature: *32° to 100° F*
8. Humidity: *Non-condensing*



General Description

The model LCD-240 is a backlighted display designed for use on a fire alarm system printer port. It features 2 lines of type at 40 characters each. A scroll button allows the user to view up to six previous messages.

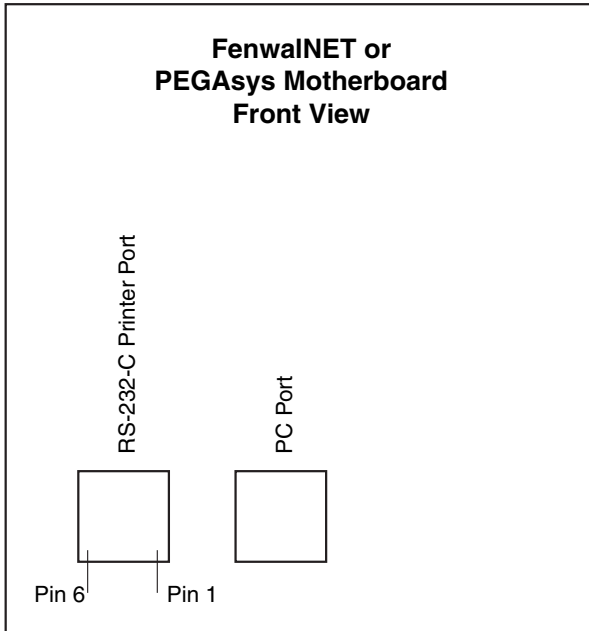
The faceplate is aluminum with a black finish and white nomenclature (shown above). A terminal block is provided for connections to the Fire Alarm Control Panel

The system can be configured to operate on RS-232 or 485 serial output. The unit is designed primarily to display the same data as a standard printer.

The unit is compact (1.5"H x 7.5"W x 2"D) and can be embedded in a graphic map, or can be installed in a standard four-gang box. Please consult the factory for custom applications.



LCD-240 DISPLAY SPEC SHEET

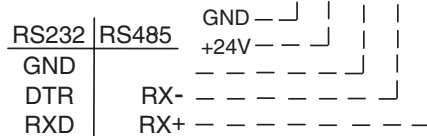
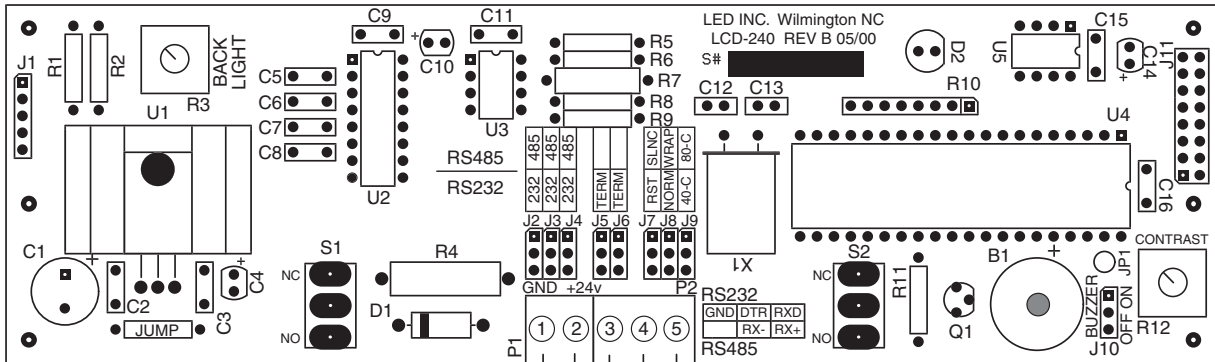


RS-232C Parameters

- 9600 Baud
- 8 Data Bits
- 1 Stop Bit
- No Parity

Pin Functions

- 1 = Transmit (TXD)
- 2 = Signal Ground (GND)
- 3 = Request to Send (RTS)
- 4 = Clear to Send (CTS)
- 5 = No Connection (NC)
- 6 = Receive (RXD)



* For RS-485 Operation move Jumpers J2, J3 & J4 to the RS-485 position and connect TX+ and TX- to data converter as shown.

CCM	Inter-Connections For RS-232 Operation	LCD-240
TX 1.	_____	RXD (5)
- SG 2.	_____	GND (3)
RTS 3.	_____	
+ CTS 4.	_____ 8 to 12 volts _____	DTR (4)
NC 5.	_____	
RX 6.	_____	
	Power Input ⊕ (2)	
	12 - 24 VDC ⊖ (1)	