

**® Light Engineered Displays, Inc.**Graphic Annunciators \* Water Leak Detection  
Fireman's Smoke Control Panels \* BDA - Status109 Portwatch Way Wilmington, N.C. 28412 Phone: (800) 251-2512 Fax: (800) 251-9878  
Internet: www.ledinc.com Email: sales@ledinc.com

SIGNALING



## Features

- Intended for Indoor/ Dry Location
- Enclosure constructed to NEMA 1 standards
- Non-glare protective front
- Low power consumption
- Ultra Bright Light Emitting Diodes
- Lamp Test & local Silence Switch
- Can be flush or surface mounted.

## Technical Specifications

1. Primary Power:  
*115 VAC Universal Power supply  
with 24vdc output & battery backup.*
2. Circuit Board Input Voltage:  
*Nominal 24 Vdc / Min. 18 Vdc to 36 Vdc*
3. Standby Current at 24vdc:  
*Approximately 15 ma*
4. Alarm Current:  
*Approximately 60 ma.  
Add 45 ma for each Activated Alarm*
5. Operating Temperature  
*32-100F (0-38C)*

## General Description

The BDA system status panel is designed to monitor the status of Bi-Directional Amplifier systems. The internal circuitry monitors the BDA system status contacts for abnormal events such as: Loss of Normal Power, Battery Charger Failure, Low Battery Capacity, Antenna malfunction, ect..

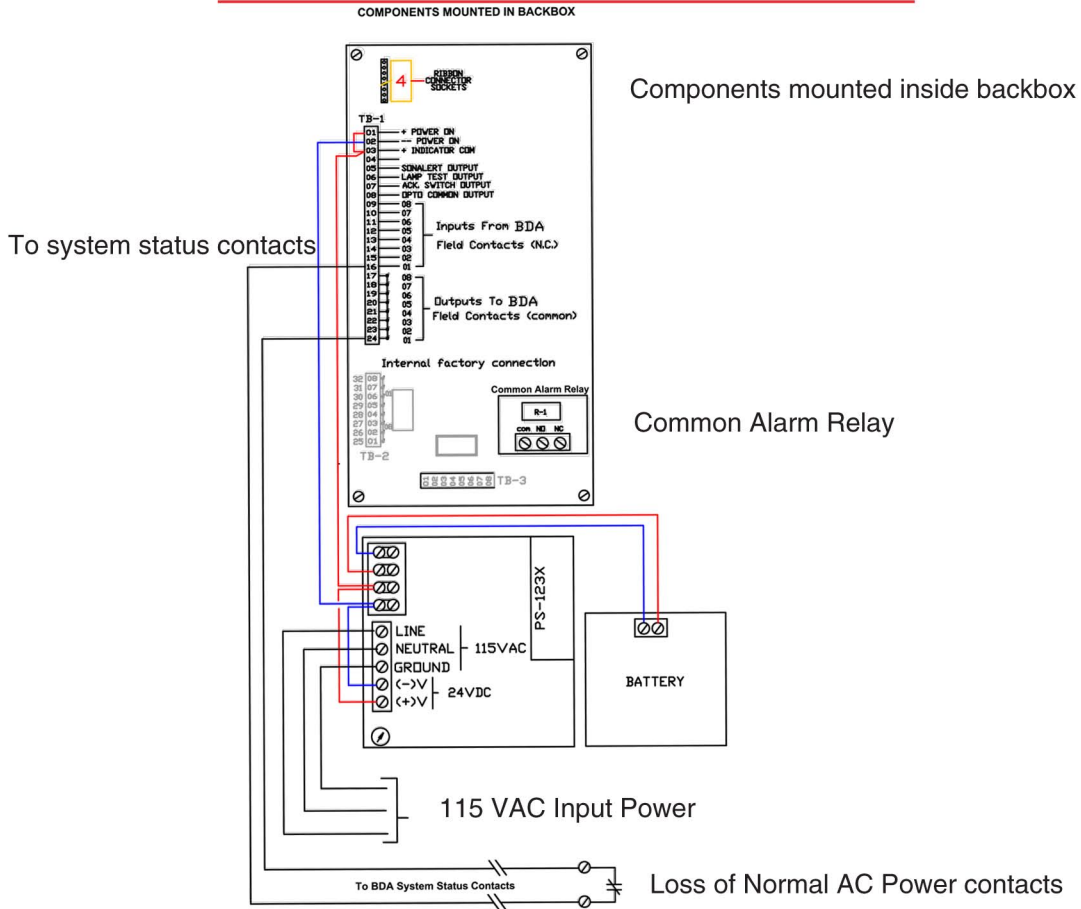
The standard unit includes a 115vac power supply with battery backup, a local audible alarm with Silence switch and a set of Form-C contacts for connection to the building FACP or BMS. Also included is a Lamp Test switch.

Normal system operation is indicated by the lighted Green Power-ON LED indicator. The Lamp Test switch when activated, will light all system indicators as a demonstration that the internal circuits, wiring and LED's are functioning properly. The G-1212 BDA is available "off the shelf" as described above, or it can be customized to your exact needs.

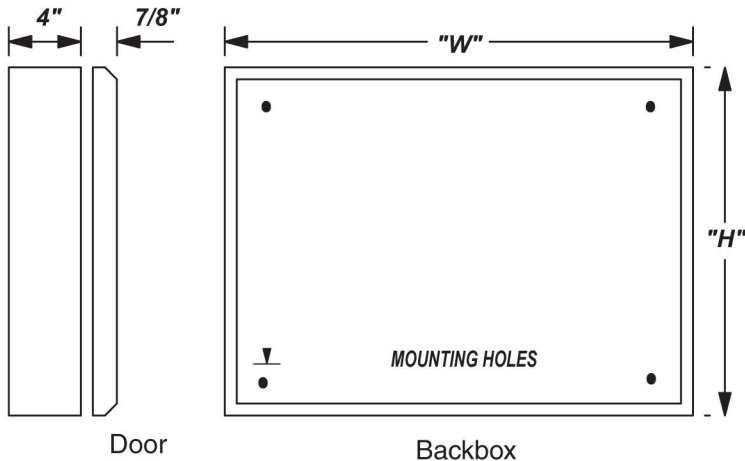
Meets current NFPA-1221 codes for dedicated annunciator and monitoring panel.

**Model: G-1212-BDA**

## Wiring Diagram



## Ordering Information



MODEL	W x H
G-1212-BDA SERIES	12" x 12"
WT-0-BDA SERIES	21.25" x 12.25"

For Semi-flush mounting, add 3" to overall dimensions. The WTD-BDA( weather-tight) is surface mount only.

Consult the factory regarding custom sizes, products, options or special requirements.